

## Balun Common Mode Chokes - SRIDB6560 SERIES

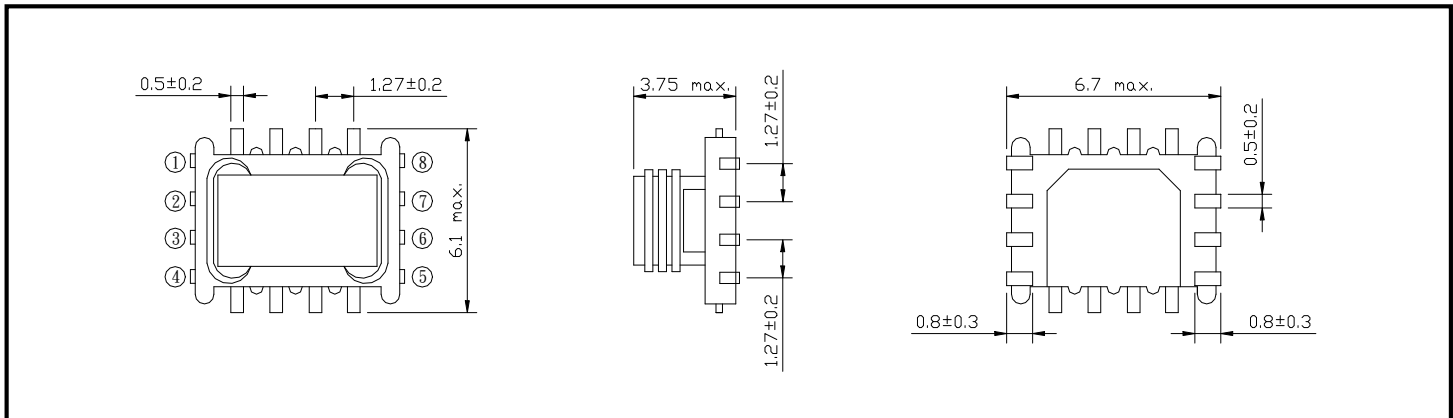


### PART NUMBERING SYSTEM

<b>SRIDB</b>	<b>6560</b>	—	<b>121A</b>	—	<b>LF</b>
TYPE	DIMENSIONS		IMPEDANCE		LEAD FREE

### SHAPES AND DIMENSIONS

UNIT : mm



### SPECIFICATION TABLE

PART NUMBER	RATED CURRENT (mA)	COMMON MODE IMPEDANCE (Ω)		DCR (Ω) max.	WITHSTANDING VOLTAGE (Vdc)	INSULATION RESISTANCE (Ω) (min)	OPERATING TEMP. ( °C )
		100MHz	300MHz				
SRIDB6560-121A-LF	500	120±25%	170 (TYP.)	0.12	100	100 M	-40~+85
SRIDB6560-301A-LF	500	300±25%	600 (TYP.)	0.12	100	100 M	-40~+85
SRIDB6560-501A-LF	500	500±25%	730 (TYP.)	0.12	100	100 M	-40~+85

TEST EQUIPMENT : HP-4291A



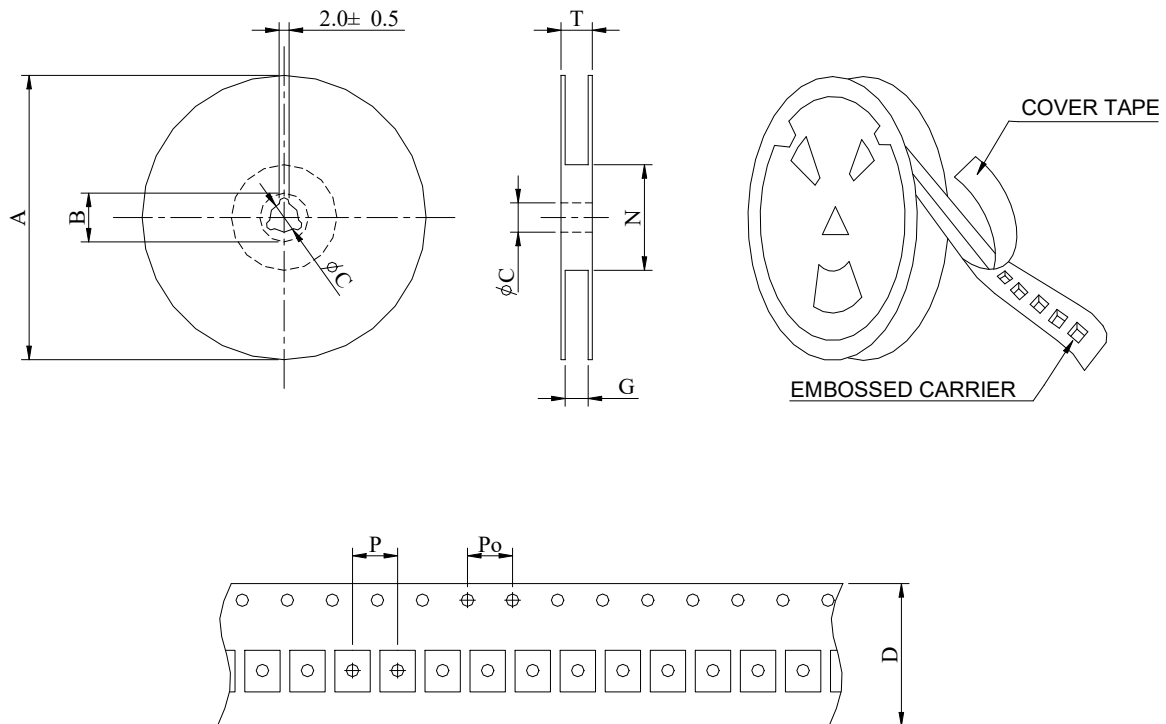
**Coilmaster Electronics Co., Ltd.**  
 3F No.211, Huan Bei Rd. Chung Li District, Taoyuan City, Taiwan  
 Tel : +886-3-422-8279 Fax : +886-3-452-5688

E-mail : [info@coilmaster.com.tw](mailto:info@coilmaster.com.tw)  
 Web Site : [www.coilmaster.com.tw](http://www.coilmaster.com.tw)

## Balun Common Mode Chokes - SRIDB6560 SERIES



### PACKAGING SPECIFICATION



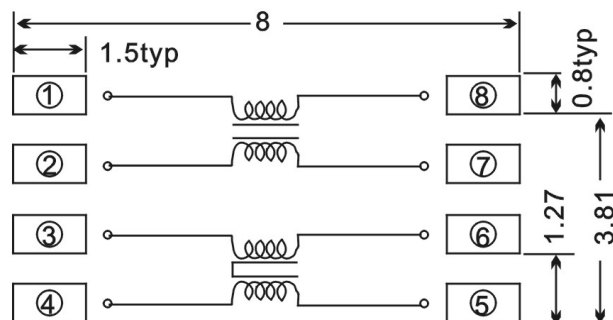
SERIES	STAYLE	Q'TY (PCS)	DIMENSIONS (m/m)								
			A	B±0.8	C±0.5	D	G <sup>+0</sup>	N <sup>0</sup>	P	Po	T
SRIDB6560A	12	2000	330	21	13	12	12.4	75	8	4	16.4

## Balun Common Mode Chokes - SRIDB6560 SERIES

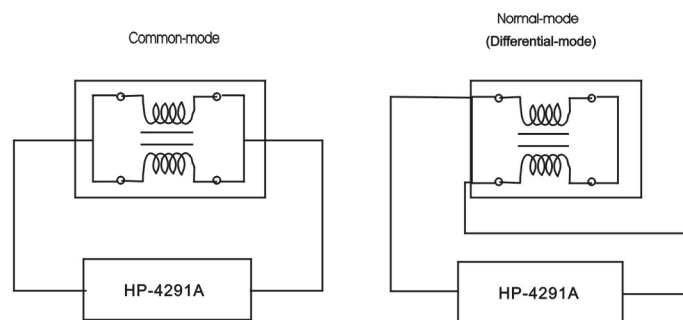


### RECOMMENDED PC BOARD PATTERN (unit:mm)

SRIDB 6560A/SRIDB 6560R



### MEASURING CIRCUIT





## Balun Common Mode Chokes - SRIDB6560 SERIES

### TYPICAL ELECTRICAL CHARACTERISTICS

SRIDB 6560A SERIES COMMON MODE vs. NORMAL MODE CHARACTERISITICS

